

**PART NO. 51X120**  
**PART NO. 51X193**  
**PART NO. 51X016**

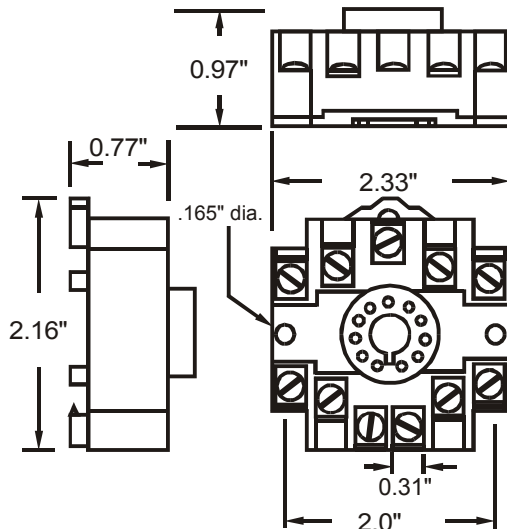
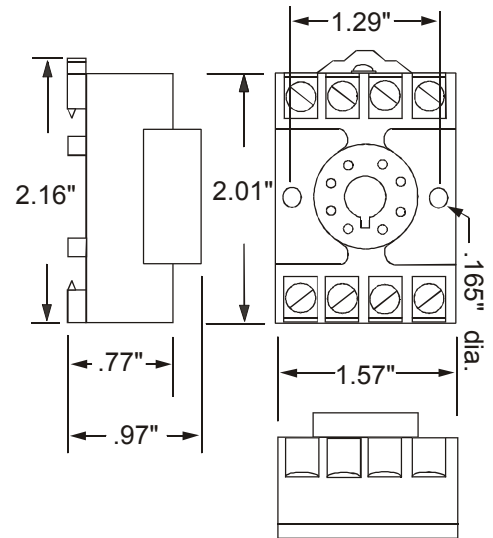
## Sockets

- **8-Pin Sockets: (51X120)**  
10 Amps at 600VAC Rating
- **8-Pin Sockets: (51X193)**  
10 Amps at 600VAC Rating
- **11-Pin Socket:**  
10 Amps at 300VAC Rating

The Model 51X120 and Model 51X193 8-Pin Socket are surface or DIN-rail mount sockets which are suitable for use with Time Mark relays up to 480 VAC.

The thermoplastic body can withstand temperatures up to 300° F continuously without melting or electrical breakdown. Terminals are #6-32 screws, and are suitable for use with wire sizes up to two #12 AWG. The one piece molded body does not require a separate insulator strip.

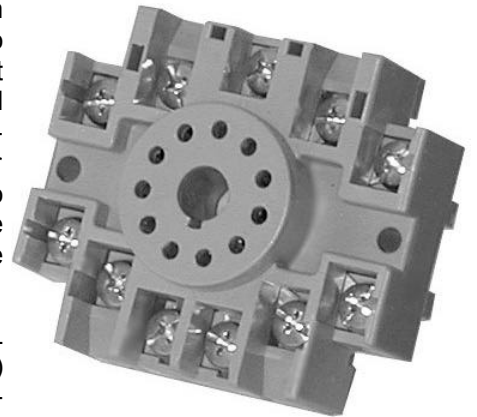
The Model 51X120 is UL Recognized (file #E126447) and CSA Certified (file #LR-29513-27M).



**The Model 51X016 11-Pin Socket** is a surface or DIN-rail mount socket.

The thermoplastic body can withstand temperatures up to 300° F continuously without melting or electrical breakdown. Terminals are #6-32 screws, and are suitable for use with wire sizes up to two #12 AWG. The one piece molded body does not require a separate insulator strip.

The Model 51X016 is UL Recognized (file #E126447) and CSA Certified (file #LR-29513-27M).



Telephone: Main - (918) 438-1220  
 Sales - (800) 862-2875  
 Fax: (918) 437-7584  
 E-mail: sales@time-mark.com  
 Internet: http://www.time-mark.com



11440 East Pine Street  
 Tulsa, Oklahoma 74116

Doc No. 87A77 01/03  
 © 2002 TIME MARK CORPORATION

TIME MARK is a division of AEMT, Inc.

**PART NO. 98A535**

## **Hold Down Clamp**

- **Hold Down Clamp:**  
Prevents Vibration of Socket-mounted Relays

### **DESCRIPTION**

The **98A535 Hold Down Clamp** is constructed of stainless steel brackets, joined with a rubber O-ring. The clamp is designed to secure the socket-mounted relay against vibration.

The Hold Down Clamp is attached to the socket with existing mounting hardware. These clamps are made to fit all Time Mark™ and Signaline™ socket-mounted relays.



Telephone: Main - (918) 438-1220  
Sales - (800) 862-2875  
Fax: (918) 437-7584

E-mail: [sales@time-mark.com](mailto:sales@time-mark.com)  
Internet: <http://www.time-mark.com>



11440 East Pine Street  
Tulsa, Oklahoma 74116  
Doc No. 87A77 10/02  
© 2002 TIME MARK CORPORATION

TIME MARK is a division of  AEMT, Inc.